

Description

The StorSys-3000 Mission System with NAS combines Core i7 processing power with over 8TB of high speed storage in an ultra rugged chassis ready to meet extreme requirements in temperature, shock, vibration and emissions. Dual 10Gbe ports provide connectivity for installations requiring the level of ultra-high performance that is absolutely essential for data intensive real time applications. Integrated TCP/IP off load engines on each port maximizes the 10GigE link speeds with minimal CPU burden. The solid state storage array is host connected through a PCIe Gen2 x 8 link and supports data rates to the array of over 1.2GB/second. The 8 port SATA III controller can be configured for RAID 0, 1 or 10 for data redundancy level choices to meet the application needs. Fanless, conduction cooled plus conformal coated content, the S50B is IP65 rated and backed by the leaders in packaging and system integration – Elma Electronic.

Features

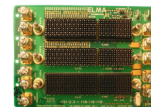
- 2.5GHz Gen 3 Intel Core i7 3555LE processor
- Over 8 TB of reliable solid state MLC storage
- Multiple I/O ports brought out via rugged MIL-C-38999 connectors
- Optional CPU and storage choices for performance optimized to your needs
- Conduction cooled system with high CFM dual front to back side air vents
- Intended for use in extended temperature, shock and vibration applications
- Linux and Windows operating systems

Benefits

- Provides reliable high capacity Network Attached Storage to IP-based systems
- Integrated TCP/IP off load engine frees up precious CPU cycles to address core mission compute tasks.
- Ample storage capacity ready to support high bandwidth data processing applications
- Rugged design with high ingress protection suitable for demanding environments

Applications and Related Products

- Today's mission critical defense systems demand high bandwidth data processing and storage. The system can be used for data acquisition, radar, beam forming and other signal processing applications in the most harsh environments.
- Other chassis and board combinations can be configured to meet different defense or industrial applications such as:
 - High definition video
 - Engine control systems data
 - Mission data storage
 - SigInt, C4ISR



- Intel & Freescale Single Board Computers
- Blade level networking boards (Ethernet, PCI Express)
- FPGA configurable I/O solutions
- Rackmount, desktop, and ATR chassis platforms
- Ruggedization programs

VPX

StorSys-3000 Mission System

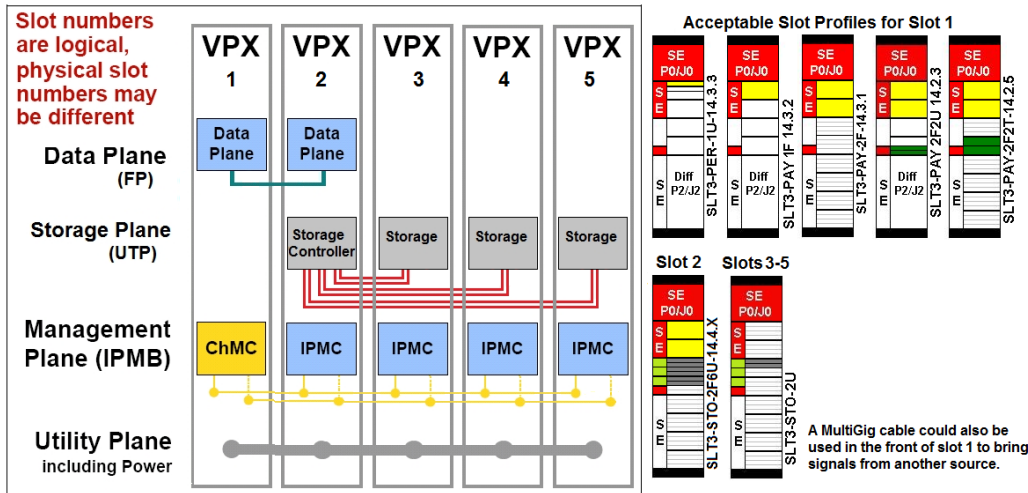
High Capacity NAS and Corei7 CPU



Chassis

Single-Board
Computer

System Backplane



Features Summary

Physical Dimensions	270mm H x 163mm W x 448mm D excluding connectors	(10.6" H x 6.4" W x 17.6" D) Weight:TBD
Environmental	<ul style="list-style-type: none"> Operating card edge temp -40C to +75C Humidity: 95% Non condensing 	<ul style="list-style-type: none"> Shock: 30 Gs @ 11ms half sine Vibration: 20 to 2000Hz at 5Gs Designed to meet: MIL-STD 810E, 461
I/O	<ul style="list-style-type: none"> 2 x 10 GigE ports 2 x GigE ports 1 x Comm Port 	<ul style="list-style-type: none"> 2 x USB 2.0 ports 3 x GPIO ports 1 x VGA port
Power Supply	<ul style="list-style-type: none"> 3U VITA 62 compliant module Input 18 - 36 VDC Output 1 Voltage VS1 12 VDC Output 1 Power 150 W 	<ul style="list-style-type: none"> Output 2 Voltage VS2 3.3 VDC Output 2 Power 75 W Output 3 Voltage VS3 5 VDC Output 3 Power 125 W
Processor	2.5GHz Gen 3 Intel Core i7 3555LE processor	8GB DDR3-1600 DRAM with ECC
Storage array	8TB of SSD drive capacity	PCIe Gen2x8 access speed 1.2GB/s

Ordering Information

Model number StorSys-3000

Please contact sales for specific model configurations. For a list of sales contacts, please visit our [Global Contacts](#) page.