



## Rugged 3G-SDI 1x4 Video Splitter with Signal Regeneration

### Description

The Hydra 1004 is a rugged 3G-SDI 1x4 video splitter designed to operate in rugged environments with high temperatures. The 3G-SDI, HD-SDI or SD-SDI video input is split into four outputs for viewing or distribution. Signal regeneration (Re-clocked) ensures that the video quality is not compromised. All connectors including power are front-facing for ease of mounting. Power and SDI link status LEDs are mounted on the front of the unit. For extended environmental specifications, military certifications and other variations and video formats please contact us at [rugged@eizo.com](mailto:rugged@eizo.com).

### Product Specification

Interface	3G-SDI over BNC
Dimensions	1.37H" x 5.25W" x 3.15L" Meets NEMA 4
Power Input	28 VDC (MIL-DTL-D38999)
Video Input	One 3G-SDI, HD-SDI or SD-SDI on BNC Male
Video Outputs	Four 3G-SDI, HD-SDI or SD-SDI on BNC Male
Operating Temperature	-40°C to 85°C

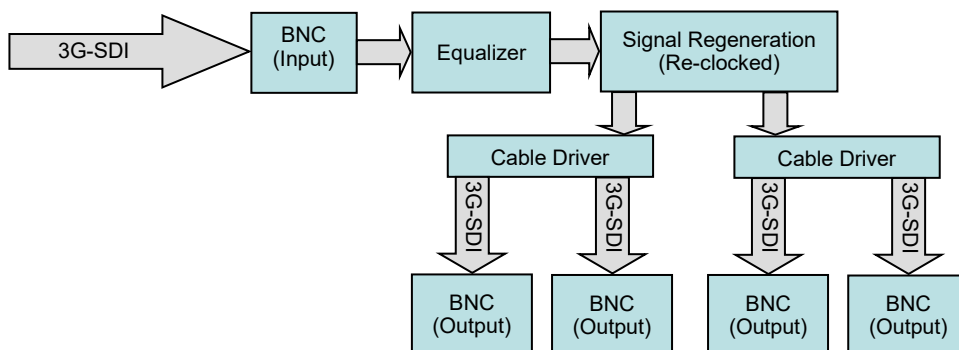
### Key Features

- 1x4 Video Splitter
- One 3G-SDI Input (BNC)
- Four 3G-SDI Outputs (BNC)
- Signal Regeneration (Re-clocked)
- Low Power
- -40°C to 85°C Operating Temperature
- Power and SDI Link Status LEDs
- Front-Facing Connectors
- Small Compact Form Factor
- Long Term Product Availability

### Markets

- Military, Avionics, Defense
- C4ISR, Command, Control, Communication & Cyber, Intelligence, Surveillance, Reconnaissance
- Transportation
- Broadcasting
- UAV, UAS, UGV

### Block Diagram



**Bringing your projects to life**®

**EIZO Rugged Solutions, Inc.**

442 Northlake Blvd

Altamonte Springs, FL 32701, USA

407-262-7100

**Website: [www.eizorugged.com](http://www.eizorugged.com)**

**Email: [rugged@eizo.com](mailto:rugged@eizo.com)**

EIZO Rugged Solutions Inc. and the EIZO Rugged Solutions logo are trademarks of EIZO Corporation. EIZO name and logo are registered trademarks of EIZO Corporation. All other trademarks are the property of their respective owners. ©2019 EIZO Rugged Solutions, Inc. All rights reserved. Information in this document is subject to change without notice. EIZO Rugged Solutions assumes no responsibility for errors or omissions that may appear in this document.



## Rugged 3G-SDI 1x4 Video Splitter with Signal Regeneration

### Description

The Hydra 1004 is a rugged 3G-SDI 1x4 video splitter designed to operate in rugged environments with high temperature, shock and vibration specifications (MIL-STD-810G). The 3G-SDI, HD-SDI or SD-SDI video input is split into four outputs for viewing or distribution. Signal regeneration (Re-clocked) ensures that the video quality is not compromised. All connectors including power are front-facing for ease of mounting. Power and SDI link status LEDs are mounted on the front of the unit. For extended environmental specifications, military certifications and other variations and video formats please contact us at [rugged@eizo.com](mailto:rugged@eizo.com).

### Product Specification

Interface	3G-SDI over BNC
Dimensions	1.66in H x 5.625in W x 5.69in D
Power Input	28 VDC (MIL-DTL-D38999)
Video Input	One 3G-SDI, HD-SDI or SD-SDI on BNC Male
Video Outputs	Four 3G-SDI, HD-SDI or SD-SDI on BNC Male
Operating Temperature	-40°C to 85°C
Humidity	95% without condensation
Shock & Vibration	Designed to meet MIL-STD-810G
Weight	1.25 lbs.

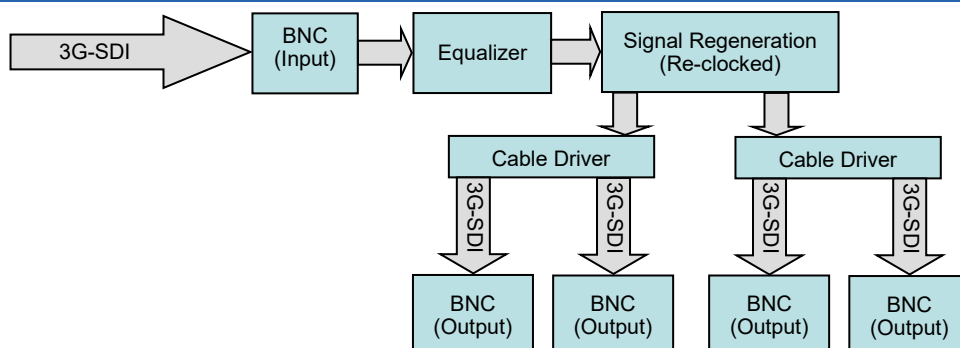
### Key Features

- 1x4 Video Splitter
- One 3G-SDI Input (BNC)
- Four 3G-SDI Outputs (BNC)
- Signal Regeneration (Re-clocked)
- Low Power
- -40°C to 85°C Operating Temperature
- High Shock and Vibration Spec
- Power and SDI Link Status LEDs
- MIL-STD-461 Compliant
- Optimized SWaP
- Long Term Product Availability

### Markets

- Military, Avionics, Defense
- C4ISR, Command, Control, Communication & Cyber, Intelligence, Surveillance, Reconnaissance
- Transportation
- Broadcasting
- UAV, UAS, UGV

### Block Diagram



**Bringing your projects to life®**

**EIZO Rugged Solutions, Inc.**

442 Northlake Blvd

Altamonte Springs, FL 32701, USA

407-262-7100

**Website: [www.eizorugged.com](http://www.eizorugged.com)**

**Email: [rugged@eizo.com](mailto:rugged@eizo.com)**

EIZO Rugged Solutions, Inc. and the EIZO Rugged Solutions logo are trademarks of EIZO Corporation. EIZO name and logo are registered trademarks of EIZO Corporation. All other trademarks are the property of their respective owners. ©2020 EIZO Rugged Solutions, Inc. All rights reserved. Information in this document is subject to change without notice. EIZO Rugged Solutions assumes no responsibility for errors or omissions that may appear in this document.